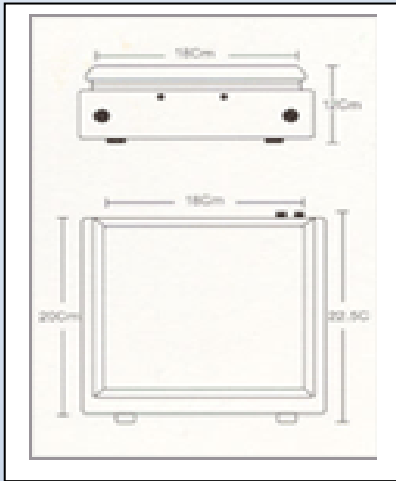


# Hot Plate & Magnetic Stirrer



**Hot Plate & Magnetic Stirrer**

- Ceramic-coated top plates
- Coated with pure white plate, easy to observe in use
- Temperature which uses the SCR method
- With low RPM setting and soft stirring, Magnetic
- Bar in stable condition.

| MODEL                          | MS300                                | MS200               | MS100       |
|--------------------------------|--------------------------------------|---------------------|-------------|
| Type                           | Hot plate/Mag stirrer                | Mag stirrer         | Hot plate   |
| Maximum plate temperature      | up to 400°C                          | -                   | up to 400°C |
| Speed                          | 100 - 2000 RPM                       | -                   | -           |
| Stirring Capacity              | 100Mℓ - 3ℓ                           | -                   | -           |
| Control                        | Electronic                           | -                   | -           |
| Power                          | 220V/50 Hz                           | 220V/50 Hz          | 220V/50 Hz  |
| Plate area                     | 180 x 180mm                          |                     |             |
| Dimensions Overall (W x D x H) | 200 x 225 x 120mm                    |                     |             |
| Top plate                      | Ceramic coated                       |                     |             |
| Electrical Requirements        | 220V 50/60Hz                         |                     |             |
| Weight                         | 3.5kg                                | 3kg                 | 2.5kg       |
|                                | • MS100 : Hot plate(only)            | Serial No.:11122102 |             |
|                                | • MS200 : Magnetic stirrer(only)     | Serial No.:11122321 |             |
|                                | • MS300 : Hot plate/magnetic stirrer | Serial No.:11122438 |             |
|                                | • Top plate area : 180 x 180mm       |                     |             |